

WAWA LIGHT 3.0/4.0



BCT-WW3.0/4.0

Patent number: ZL 2020 3 0665149.8



10 Years
Warranty



Light energy charging



Always bright on rainy days



Wide lighting range



Clean Energy

Product Parameters

*Battery may be stored up to 3 months then a freshening charge is required.

| Product name | WaWa Light 3.0 | WaWa Light 4.0 |
|-------------------------|--|---|
| Model | BCT-WW3.0 | BCT-WW4.0 |
| Solar panel | 40W (Mono) | 65W (Mono) |
| Panel size | 357×576×25×25 mm | 590×550×30×25 mm |
| Battery | 3.2V/25(±5)Ah LiFePO ₄ Battery | 3.2V/45(±5)Ah LiFePO ₄ Battery |
| Light power | 1600lm | 2200lm |
| Lighting time | 6+X/Intelligent power control, and can use remote control to adjust brightness and working mode. | |
| Gross weight | 5.28kg | 7.56kg |
| Lamp life | 100000 hours | |
| Lamp size | 245×210×85 mm | |
| Lamp carton size | 528×400×238mm (8 pc/carton) | |
| Solar panel carton size | 620×393×117mm (4 Pcs/carton) | 635×583×185mm (4 Pcs/carton) |
| Beam angle | bat wing 150°*70° | |
| CRI | Ra70 | |
| Color temperature | 6500K,4000K | |
| IP rating | IP65 | |
| IK level | IK08 | |
| Operating temperature | -40°C~70°C | |
| Working humidity | 10%~90% | |

*Note: The above data are typical values. The actual product weight will have an error of about 5%.

Product Display

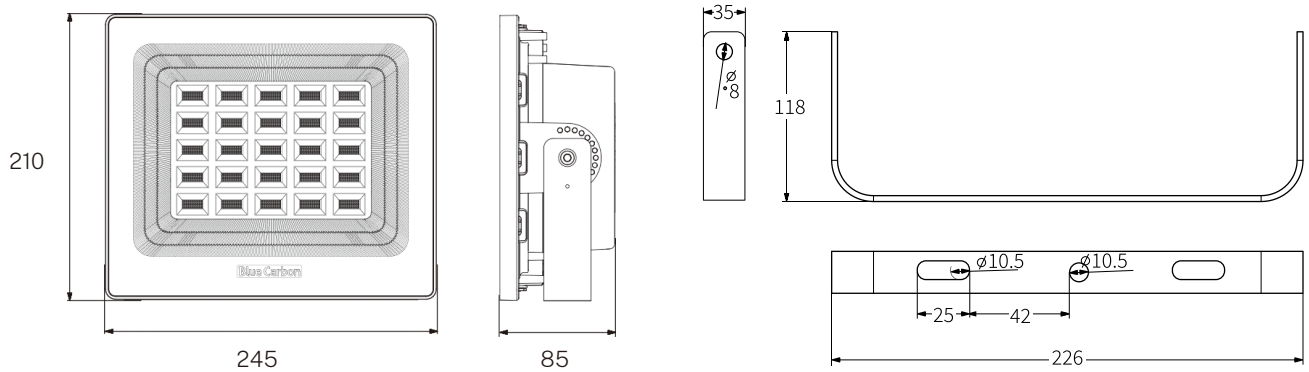


Positioning rotation angle, more solid installation.

► Product Size:

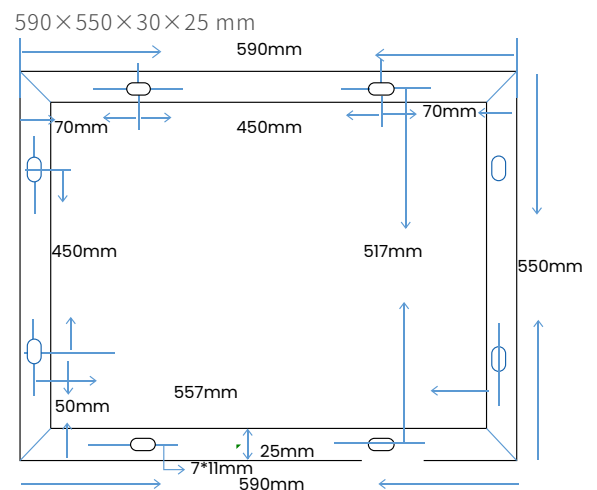
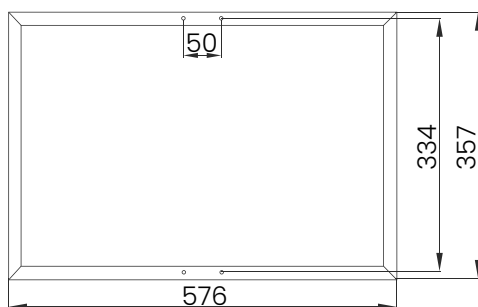
• Lamp head size chart

Unit: mm

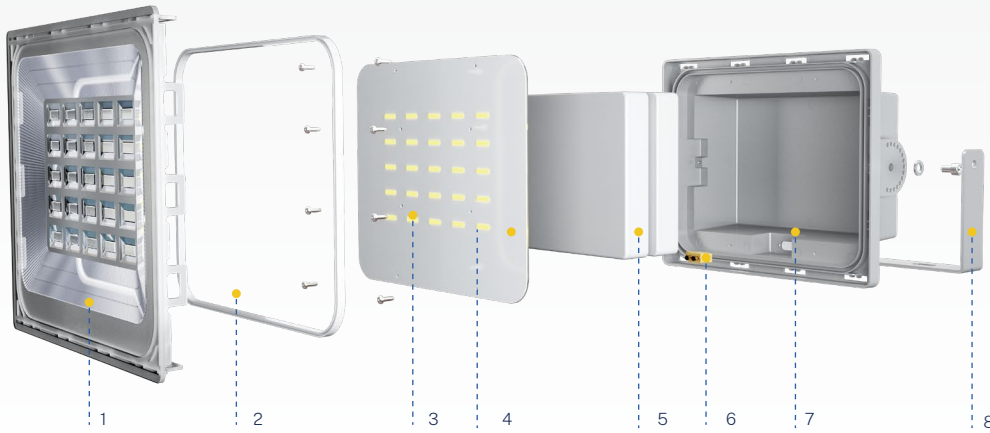


• Solar panel size chart

357×576×25×25 mm



▶ Product Details Display



1、PC Outdoor Optical Lens



High light transmittance, high temperature resistance and aging resistance.

2、Waterproof Ring

3、Imported High LED Lamp Beads



Imported high lumen LED chips, with 100,000 hrs life span.

4、Control & Drive Integrated Lamp Board

5、LiFePO4 Battery



Super endurance, high and low temperature resistance, long cycle life.

6、Gold Plated Plug

7、Aluminum Magnesium Alloy Lamp Case

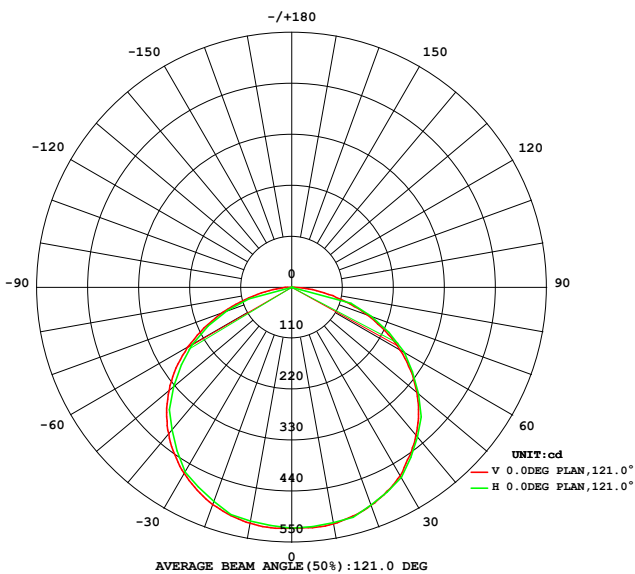


High quality aluminum magnesium alloy, anti-corrosion and high heat dissipation.

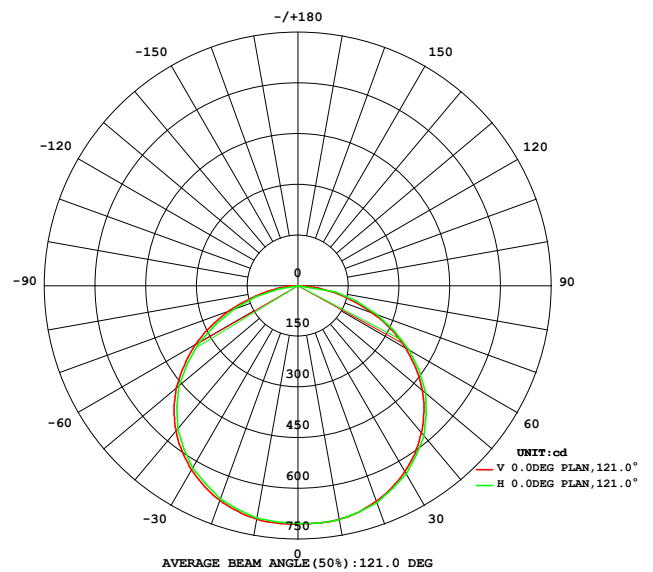
8、Bracket

▶ IES

BCT-WW3.0



BCT-WW4.0



- Original patent design, independent mould.
- All night lighting. The light never be off no matter how many rainy or cloudy days.
- The light can be installed from equator area to polar regions. The working temperature is -40-70°C.
- Integrated design, modular production.
- Low voltage design, safe and reliable.
- Integrated package, convenient transportation.

► Installation Case

Applicable place:

It is widely used in home lighting, streets and roads, residential areas, scenic spots, parks, squares, private gardens and other public places. Also used for night lighting of advertising board, and construction outdoor lighting, easy to install, energy saving, no need to pay electric fee, longer life span.

The product is easy to install, no auxiliary lines required, energy saving and environmental protection, no electricity charge, long service life.

WaWa Light3.0/4.0



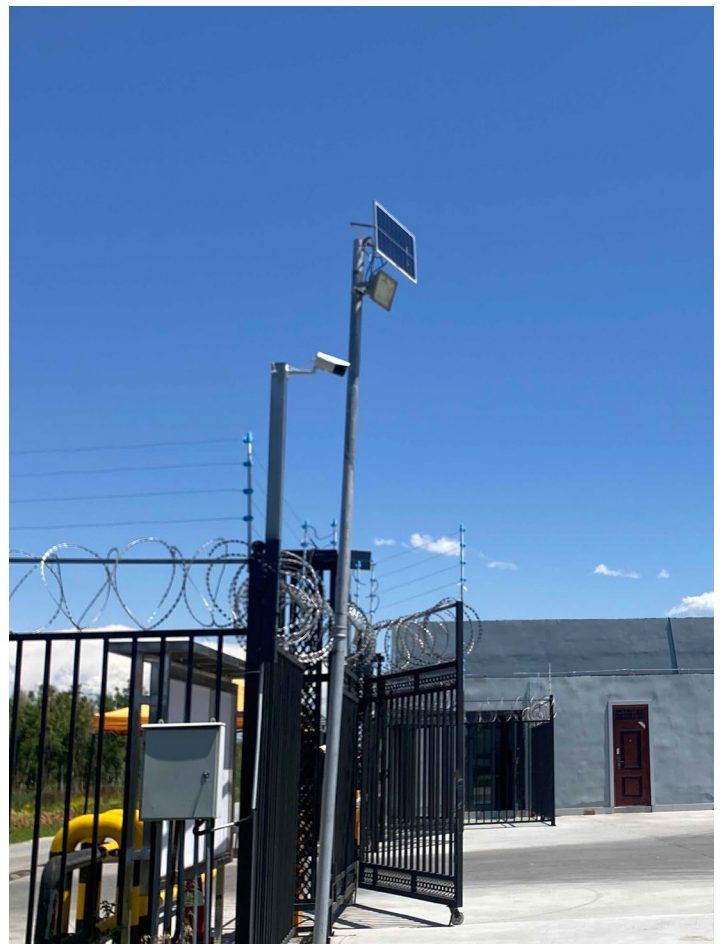
▲ Egypt



▲ Hunan, China



▲ Iran



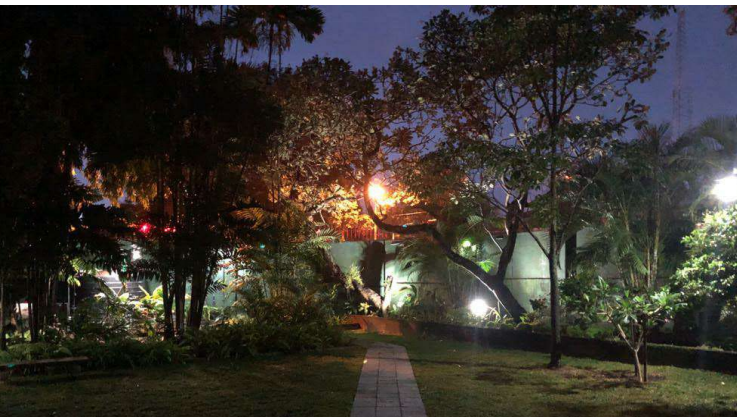
Xinjiang, China ▲



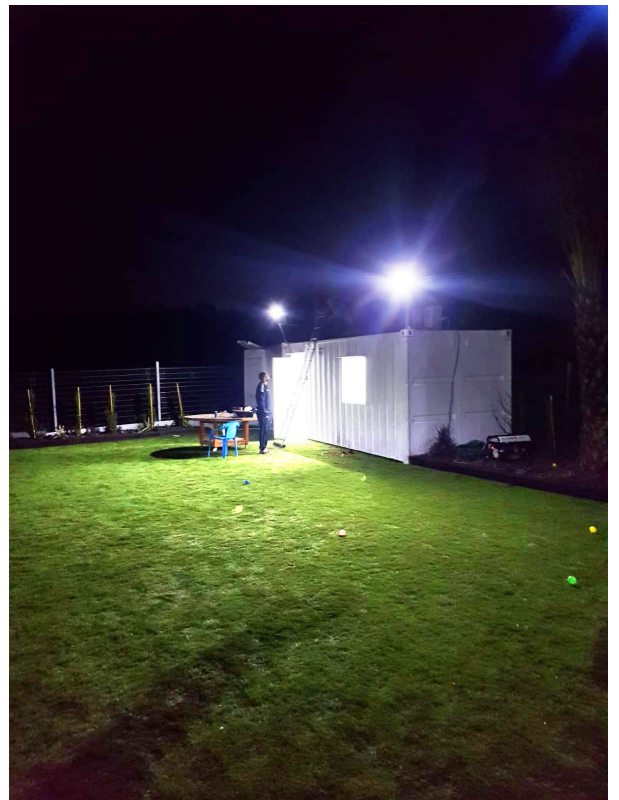
▲ Shandong, China



▲ Shanxi, China



▲ Sri Lanka



Israel ▲